

Tel: 01506 412791

Email: sales@esl-services.co.uk

Web: www.esl-services.co.uk

CD7-2 EVAC TRAC Evacuation Chair



The safest evac chair in the world!

One-person operation - Designed for emergency situations with the operator and occupant's safety in mind. In the event of fire evacuation or lift breakdown, the CD7 Evac Trac is an essential piece of equipment. With increased numbers of lift breakdowns and the safety advice about not using lifts in a fire evacuation the CD7 provides the evacuation solution with ease and comfort for both the passenger and the assistant.

Applications

- ◆ All downward evacuation
- ◆ In a building with stairs or outside steps

Why choose the CD7?

- ◆ Acknowledged as the industries best chair & safest chair
- ◆ Designed for safely travelling downstairs
- ◆ Reduces fatigue in buildings over 4 floors
- ◆ Reduces discomfort associated with standard evacuation chairs
- ◆ 180 KG max weight capacity
- ◆ Very simple to use - so cascading training in-house reduces the time away from the day job, whilst achieving competence and confidence
- ◆ Downward evacuation chair
- ◆ Unique dead-man's handle to prevent accidental movement

- ◆ 15-year warranty reduces on-going costs of all other chairs
- ◆ A person can safely take someone heavier than themselves as it is a braked chair
- ◆ Wide double tracks securely grip stairs, therefore the only chairs that should be used externally
- ◆ Wheels allow easy travel across landings between stair flights
- ◆ Integrated tie-down straps
- ◆ Ready to use in one step
- ◆ Robust commercial design.

About us

ESL Services provide the most comprehensive range of evacuation chairs and stairclimbers to improve safety when getting people in and out of buildings. Important - people have different needs and therefore require different choices.

Tel: 01506 412791

Email: sales@esl-services.co.uk

Web: www.esl-services.co.uk



Dead man's handle brake system ensures additional levels of safety.

Specifications

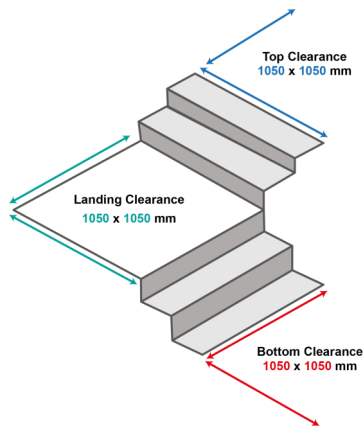
Capacity	180 kg
Weight	21 kg
Dimensions	131 x 42.6 x 81 cm
Warranty	15 years
Manufacturer	Sunwa

Guide to stair clearances

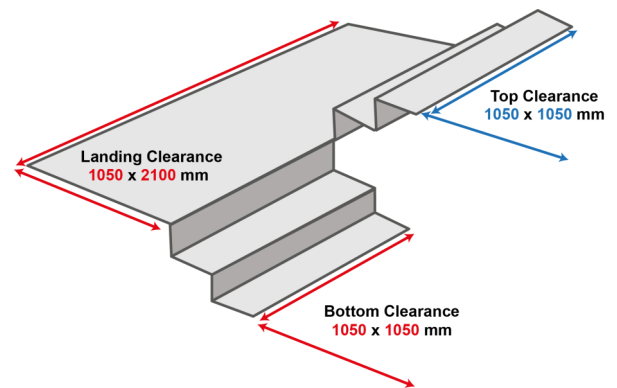
Minimum: >1050 x 1050 mm

The diagrams below shows typical minimum clearances required on stairways. Actual requirements may vary depending on your stairway configuration.

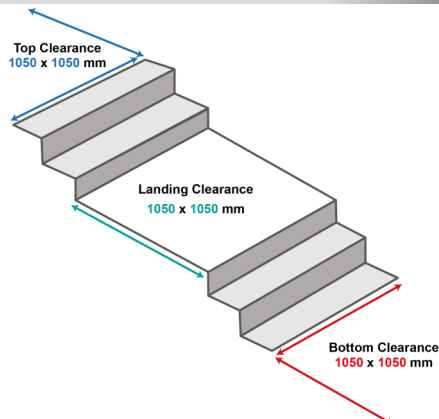
L-shaped Landing



U-shaped Landing



Straight with Landing



Straight Stairs

