

Tel: 01506 412791

Email: sales@esl-services.co.uk

Web: www.esl-services.co.uk

POWER TRAC SC-6 Evacuation Chair



Powered evacuation chair for going up and downstairs

For people with reduced mobility (PRM) to assist with getting up and down stairs. Ideally suited for emergency situations, fire evacuation, access and lift breakdowns. The Power Trac (SC-6) is a battery powered evacuation chair that goes up and down stairs e.g. to a higher refuge area from a basement. With increased numbers of lift break downs occurring, and the advice of not using lifts in fire evacuation, the Power Trac provides the evacuation / access solution with ease and comfort for both the passenger and the attendant.

Applications

- ◆ Basement evacuation.
- ◆ Offers powered descent, which reduces fatigue
- ◆ A single person operation for evacuation.

Why choose the SC-6?

- ◆ Operates on indoor and outdoor stairs
- ◆ Includes rechargeable battery and charger
- ◆ Wide double tracks securely grip stairs
- ◆ Large wheels allow easy travel across landings between stair flights
- ◆ Adjustable headrest
- ◆ Simple, easy-to-use controls
- ◆ Robust commercial design
- ◆ Ready to use in just one step
- ◆ Larger passengers can be evacuated by a smaller attendant.

About us

ESL Services provide the most comprehensive range of evacuation chairs and stairclimbers to improve safety when getting people in and out of buildings. Important - people have different needs and therefore require different choices.



Tel: 01506 412791

Email: sales@esl-services.co.uk

Web: www.esl-services.co.uk

POWER TRAC SC-6 Evacuation Chair

Specifications

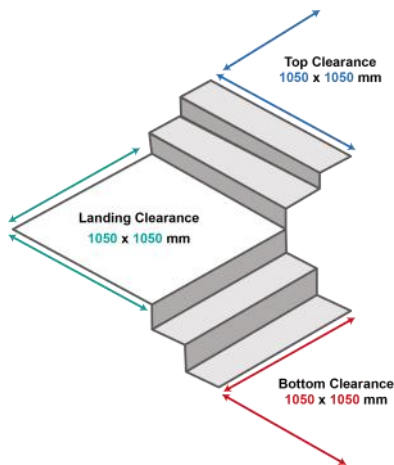
Capacity	130 kg
Weight	59 kg
Dimensions	90.8 x 41.5 x 132.1 cm
Collapsed Dimensions	51 x 41.5 x 108 cm
Warranty	2 years
Manufacturer	Antano

Guide to stair clearances

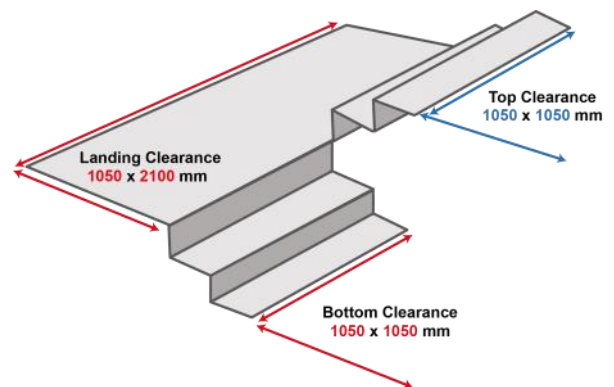
Minimum: >1050 x 1050 mm

The diagrams below shows typical minimum clearances required on stairways. Actual requirements may vary depending on your stairway configuration.

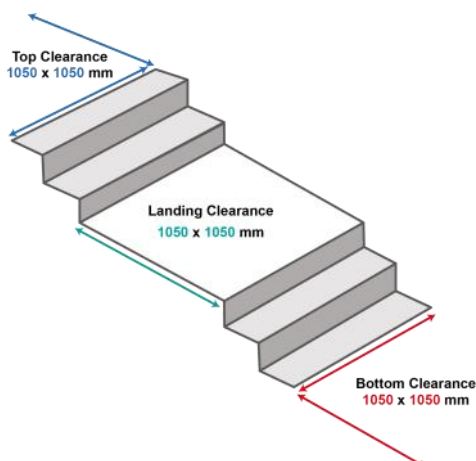
L-shaped Landing



U-shaped Landing



Straight with Landing



Straight Stairs

