

Tel: 01506 412791

Email: sales@esl-services.co.uk

Web: www.esl-services.co.uk

## C-MAX Powered Stairclimber

### For people to be used on straight, spiral, flaired and narrow staircases

On stairs as well as on level ground the C-Max proves its versatility. Removable armrests make it an easy transfer from one chair to another. Due to its compact dimensions and foldable footrest, the C-Max is easy to manoeuvre even on very narrow staircases, spiral stairs or a range of non-standard staircases. For small, compact apartments with narrow doorways, the C-Max represents the ideal solution.

The C-MAX Powered Stairclimber is a versatile, high-performance stair mobility aid designed for individuals who can transfer independently from a wheelchair to the stairclimber seat. Built to navigate a wide range of architectural layouts—including straight, spiral, flared, and narrow stairs—the C-MAX is ideal for residential use, historic buildings, public access compliance, and emergency evacuation planning.



### Applications:

The C-MAX stairclimber is designed for both everyday mobility and emergency use. Its broad range of use cases includes:

- Private Residences & Apartments – Compact design ideal for navigating narrow domestic stair
- Listed & Historic Buildings – No structural modifications needed, preserving heritage aesthetics
- Nursing Homes & Assisted Living Facilities – Ensures mobility for residents with reduced access
- Public Access Compliance – Allows public buildings to meet accessibility standards
- Transport Hubs & Venues – Airports, stadiums, and train stations where portable access is required
- Healthcare & Rehab Centres – Occupational therapists frequently recommend for home mobility access

### Why choose the C-MAX Powered Stairclimber:

If you're looking for a cost-effective, safe, and highly adaptable powered stairclimber, the C-MAX checks all the boxes. Its lightweight design, strong build quality, and advanced features make it an ideal solution for both domestic and professional use. Whether used by family carers or healthcare professionals, the C-MAX empowers individuals to navigate stairs independently and with confidence.

- Designed for Maximum Independence – Perfect for users who can self-transfer
- Fits Tight Spaces – Ideal for older homes, apartments, and facilities with compact stairwells
- Minimal Training Required – Easy to use, even for first-time operators
- Safe for Operator & Passenger – Safety brakes and stable operation on all stair types
- Flexible Configurations – Supports custom use cases including bariatric needs or additional support fixtures
- Highly Durable – Built to last with premium materials and efficient power usage

Tel: 01506 412791

Email: sales@esl-services.co.uk

Web: www.esl-services.co.uk

## C-MAX Powered Stairclimber

### Specifications:

Capacity	300 kg
Weight	32 kg
Dimensions	109 x 48.5 x 91.5 cm
Collapsed Dimensions	109 x 44.7 x 73 cm
Warranty	1 year
Manufacturer	AAT
Batteries	2 – 12V 5Ah
DC Motor	24v
Climbing Speed	8 – 23 steps/min
Step's Height	Maximum 21cm

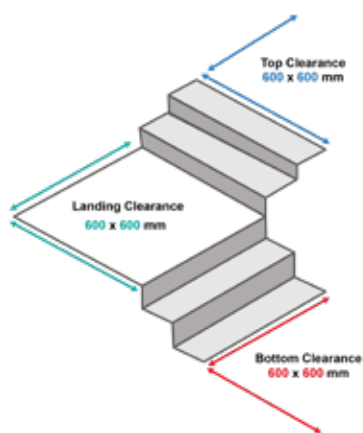
### Guide to stair clearances

#### Minimum: 600 x 600 mm

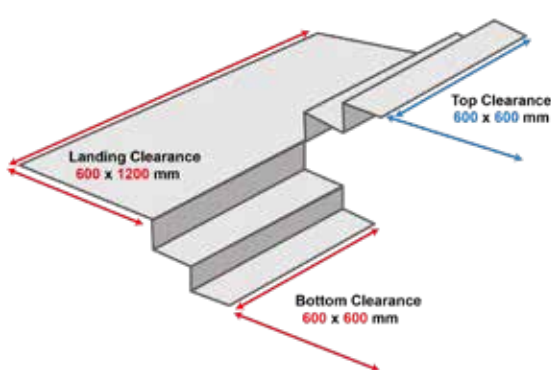
The diagram below shows the typical minimum clearances required on stairways.

Actual requirements may vary depending on your stairway configuration.

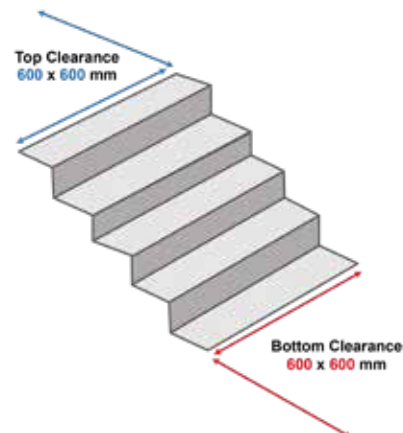
#### L-shaped Landing



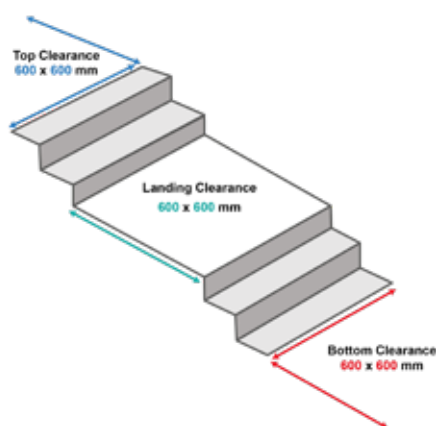
#### U-shaped Landing



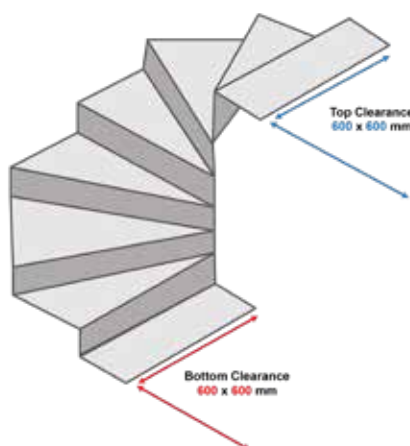
#### Straight Stairs



#### Straight with Landing



#### Spiral Stairs



#### Flared Stairs

